

Real Choice Better Solutions

Finally, a top load washer engineered for your business.



* shown with coin box

SMART DESIGN FOR A BETTER EXPERIENCE

- Large Capacity for Families and Bulky Items
- Superior Cleaning Performance
- 4 Cycle Options: Cold, Warm, Hot, and Delicate
- Separate Controls for Heavy Soil and Extra Rinse
- Quicker Drying Time Due to a Fast 745 RPM Spin

Built with professional-grade components, outperforming the competition and backed by the best 5-year parts warranty.

SIGNATURE PRO FEATURES

- 2.9 cu. ft. Capacity
- 155 G-Force Extraction
- Onboard Self Diagnostics
- Pro Smart Accelerometer
- Quieter Operation
- Sharp LED Display
- No Lid Lock
- 4 Wash Cycles
- Add Revenue with Heavy Soil and Extra Rinse Options
- Easy Adjustable Legs
- Durable 3-Layer Paint Application
- Coin and Card Compatibility
- 5-Year Parts Warranty



ULTRA CONVENIENT NON LOCKING LID

Safely add or remove items at any point in the cycle.



SIMPLE SELECT CONTROL

Eliminate error with intuitive controls and wash options.



EASY ACCESS REPAIR PANEL

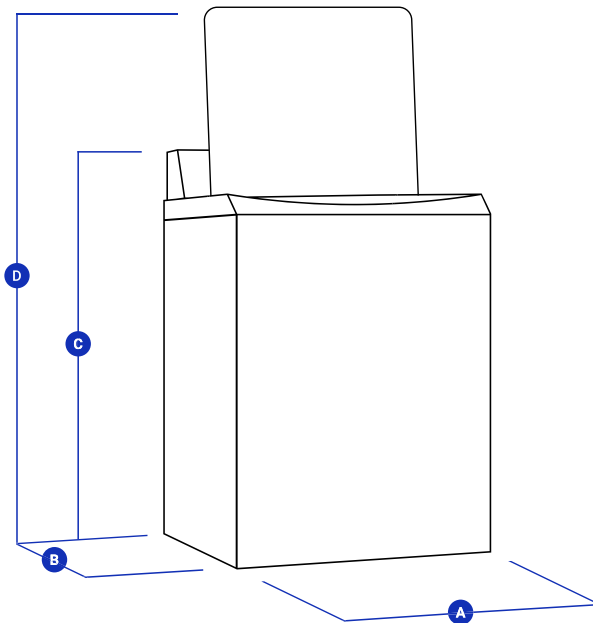
90% serviceability from the front of the machine.



PRO GRADE OUTER TUB

Greater durability for years of superior performance.

SPECIFICATIONS	
Model	WMTW4371M
Capacity – lb (kg)	18 lb (8 kg)
Cylinder Volume – cu. ft. (liters)	2.9 cu. ft. (82 l)
Wash Cycles & Options	Cold, Warm, Hot, Delicate, Heavy Soil, Extra Rinse
Motor	0.34 HP (0.25 kW)
Electrical Rating – v/Hz/Ph	120 V/60 hz/1-phase
Breaker Requirements – Amps	15 A
Wash Speed – RPM	745 RPM (maximum)
Maximum G-force	155 G
Inlet Hose – in	2x 3/8 in (hoses included)
Water Pressure – Psi (kPa)	8-145 psi (50 -1000 kPa)
Drain Hose – in (mm)	0.94 in (24 mm)
Crated Weight – lb (kg)	164 lb (74 kg)
Uncrated Weight – lb (kg)	137 lb (62 kg)



This washer is coin, card, and OPL ready!
Configuration kit WHLFP817-AL is included with this product.

EQUIPMENT DIMENSIONS	UNCRATED	CRATED
A. Overall Width – in (mm)	27 in (686 mm)	31 in (787 mm)
B. Overall Depth – in (mm)	27 in (686 mm)	32 in (813 mm)
C. Overall Height – in (mm)	44 21/64 in (1126 mm)	49 in (1245 mm)
D. Height with Lid Up – in (mm)	52 61/64 in (1345 mm)	

COMPLIMENTARY PRODUCTS	
Gas Dryer	DLHF0817G
Electric Dryer	DLHF0817E

Actual color may vary. Dimensions are for planning purposes only. Refer installation and servicing to qualified, licensed personnel. Always read Installation and Operating Manuals and consult local codes before installation. Protect machines with properly rated circuit breakers ONLY. Warranty void if not properly installed.

Because of continuous product improvement, specifications are subject to change without notice. Laundrylux assumes no responsibility for errors or omissions in this information.